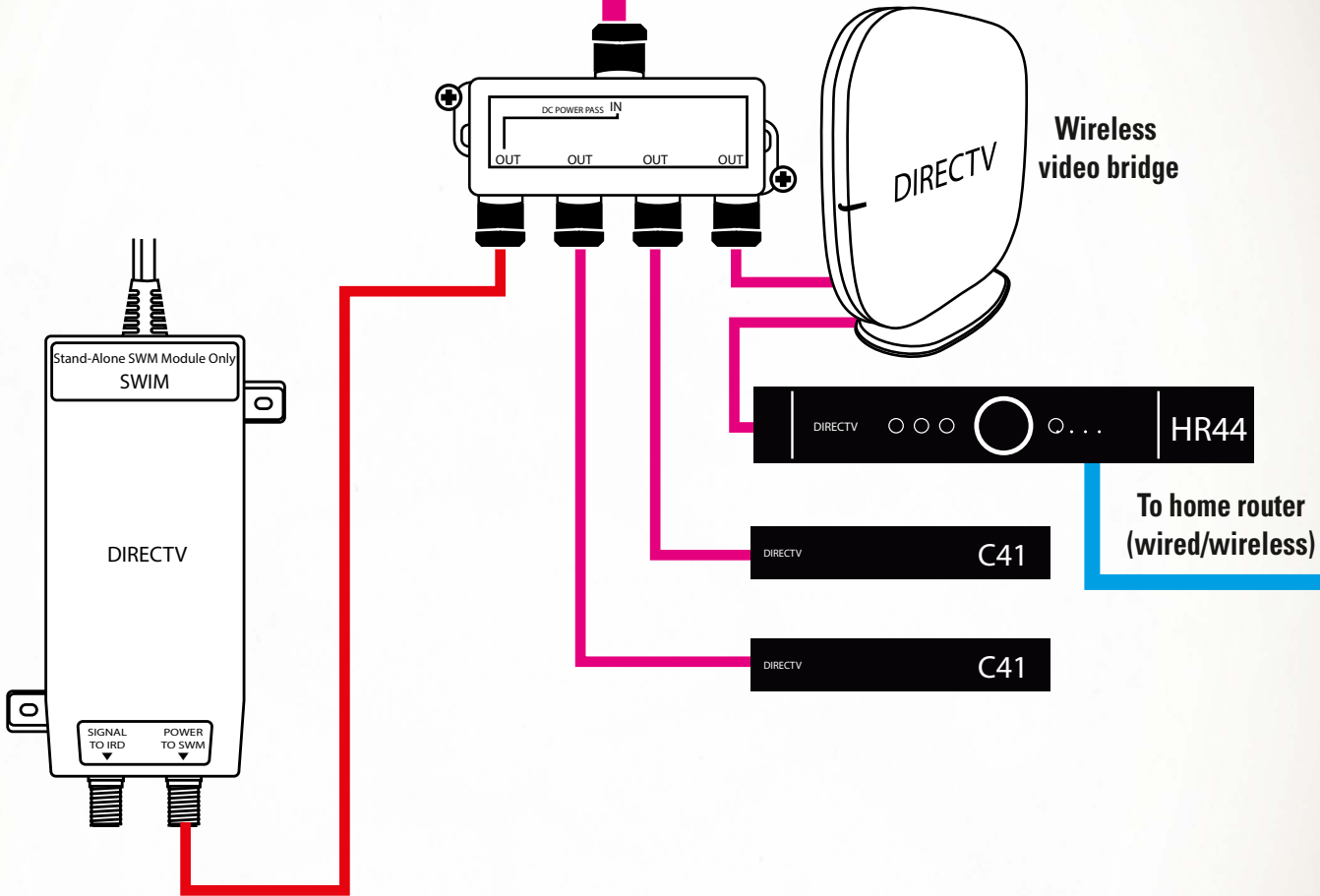


# GENIE SYSTEM WITH WIRELESS CLIENT

## TO DISH OR MULTISWITCH

Use Solid Copper Core Wiring for lines from LNB and power inserter

Power to Power Inserter from RED port on splitter



Client connects wirelessly

DIRECTV Wireless C41

**PROJECT:** Installation options for Residential DIRECTV

**DATE:** July, 2013

