

ADVANCED INSTALLATION: DSWM-30

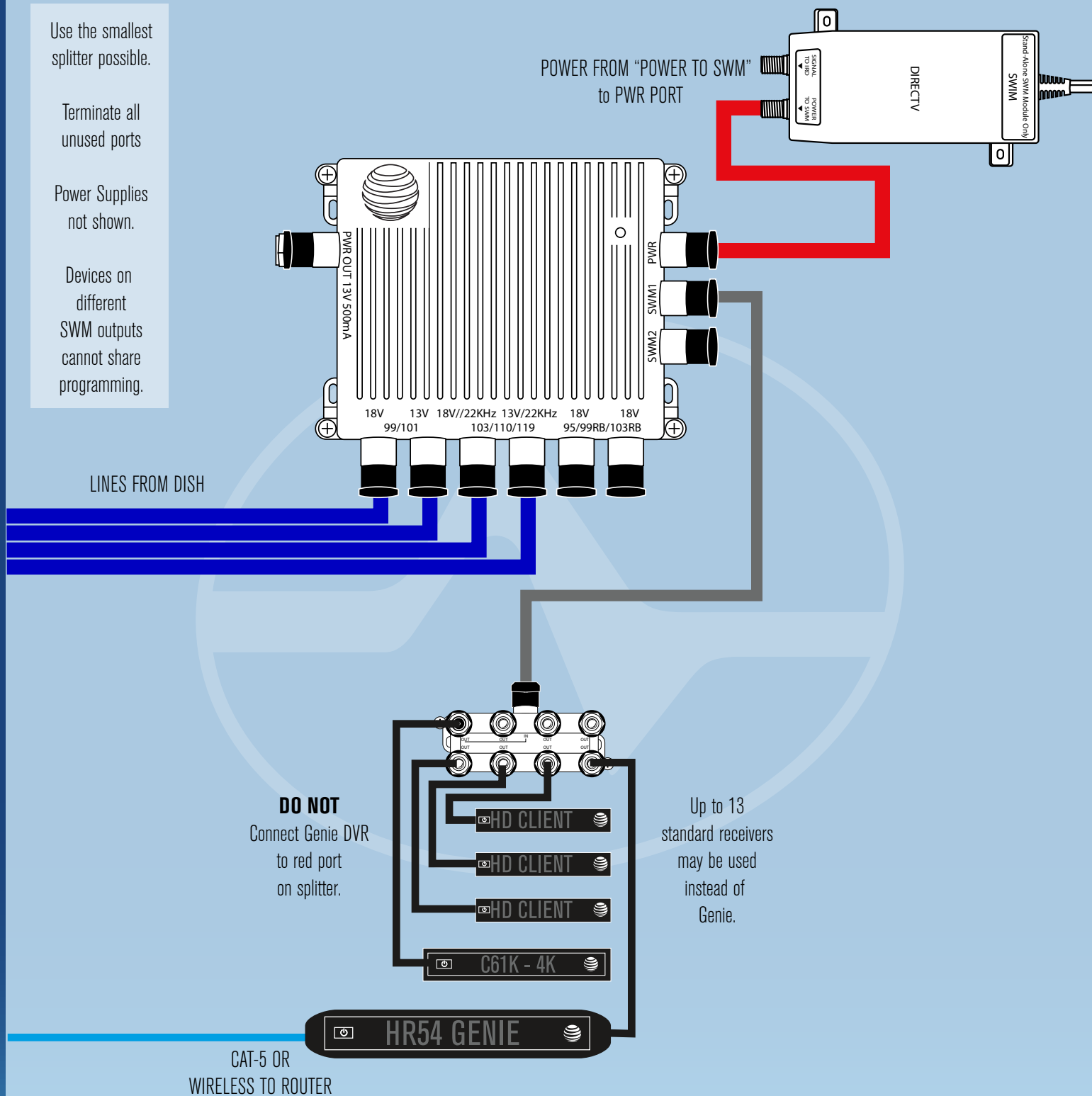
REPLACING EXISTING SWM-8 OR SWM-16 MULTISWITCH: 13 DEVICES OR FEWER

Use the smallest splitter possible.

Terminate all unused ports

Power Supplies not shown.

Devices on different SWM outputs cannot share programming.



MAY, 2017