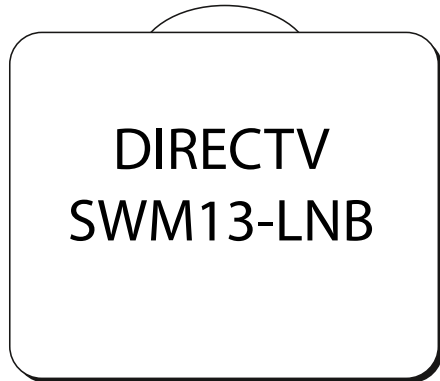
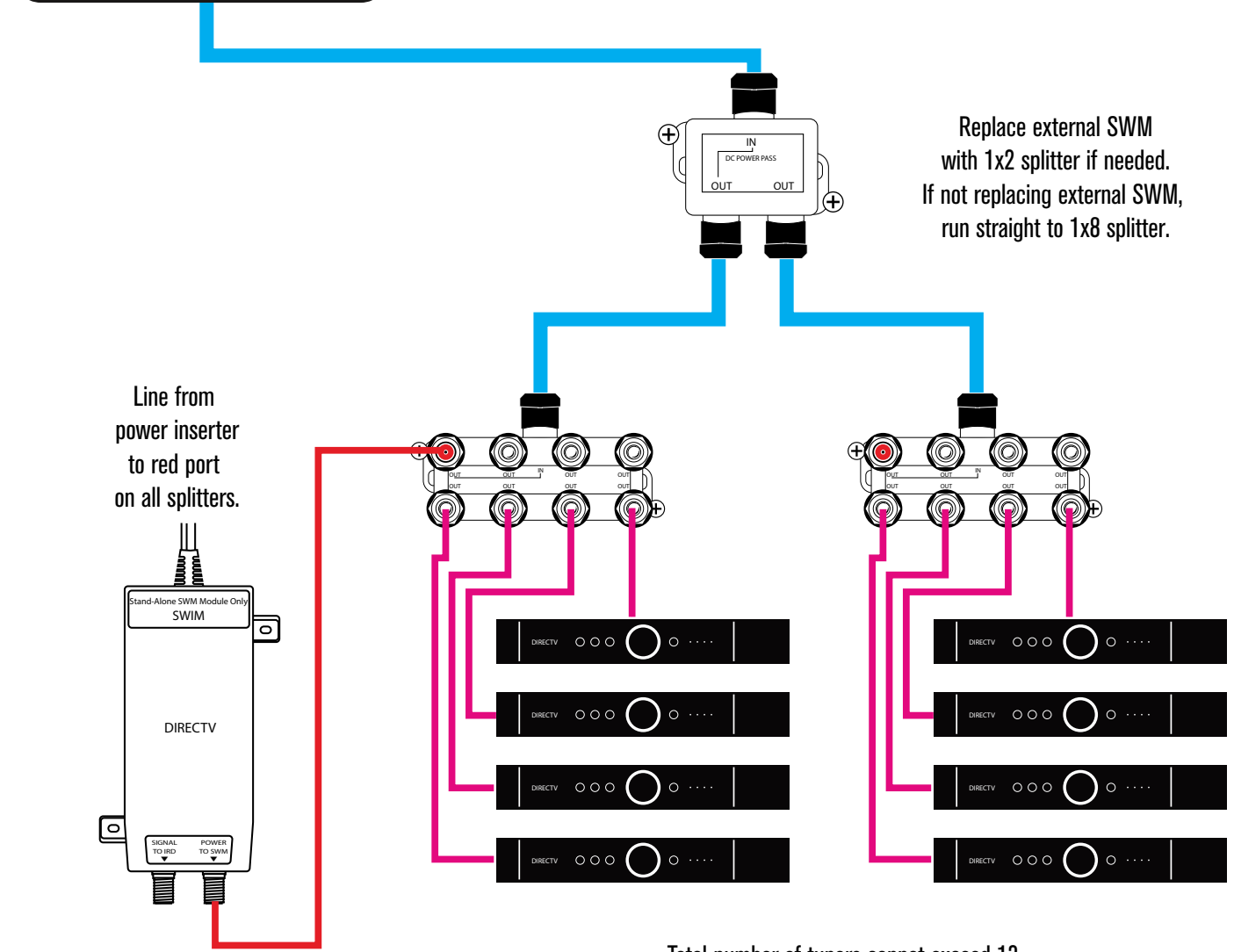


INSTALLATION: 4K LNB

Reverse Band 3 LNB designed for 4K service

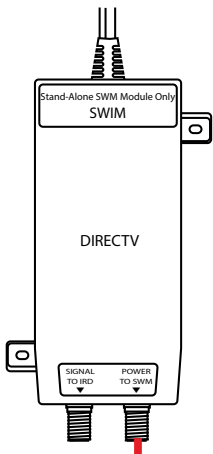


Your installation may vary depending on the number of splitters needed. Always use the smallest number of splitters.



Replace external SWM with 1x2 splitter if needed. If not replacing external SWM, run straight to 1x8 splitter.

Line from power inserter to red port on all splitters.



Total number of tuners cannot exceed 13.
Genie = 5 tuners (each Genie Client = 0 tuners)
DVR = 2 tuners, receiver = 1 tuner

