

BASIC INSTALLATION: DSWM-30

Use the smallest splitter possible.

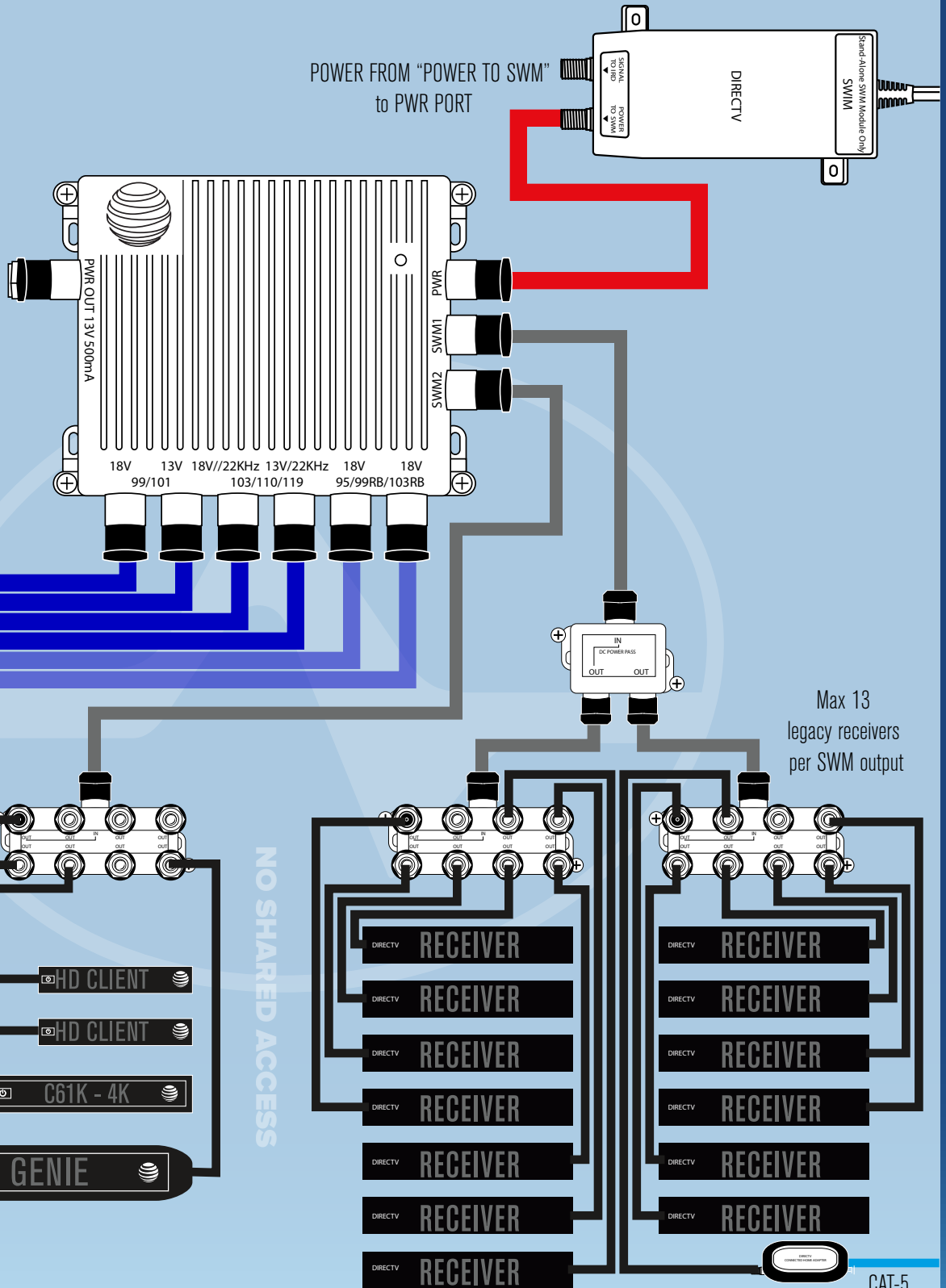
Terminate all unused ports

Power Supplies not shown.

Devices on different SWM outputs cannot share programming.

POWER FROM "POWER TO SWM" to PWR PORT

LINES FROM DISH
(Lines 5&6 from 4K LNB if necessary)



DO NOT
Connect Genie DVR
to red port
on splitter.

NO SHARED ACCESS

Max 13
legacy receivers
per SWM output

CAT-5 TO ROUTER

CAT-5
TO ROUTER



MAY, 2017