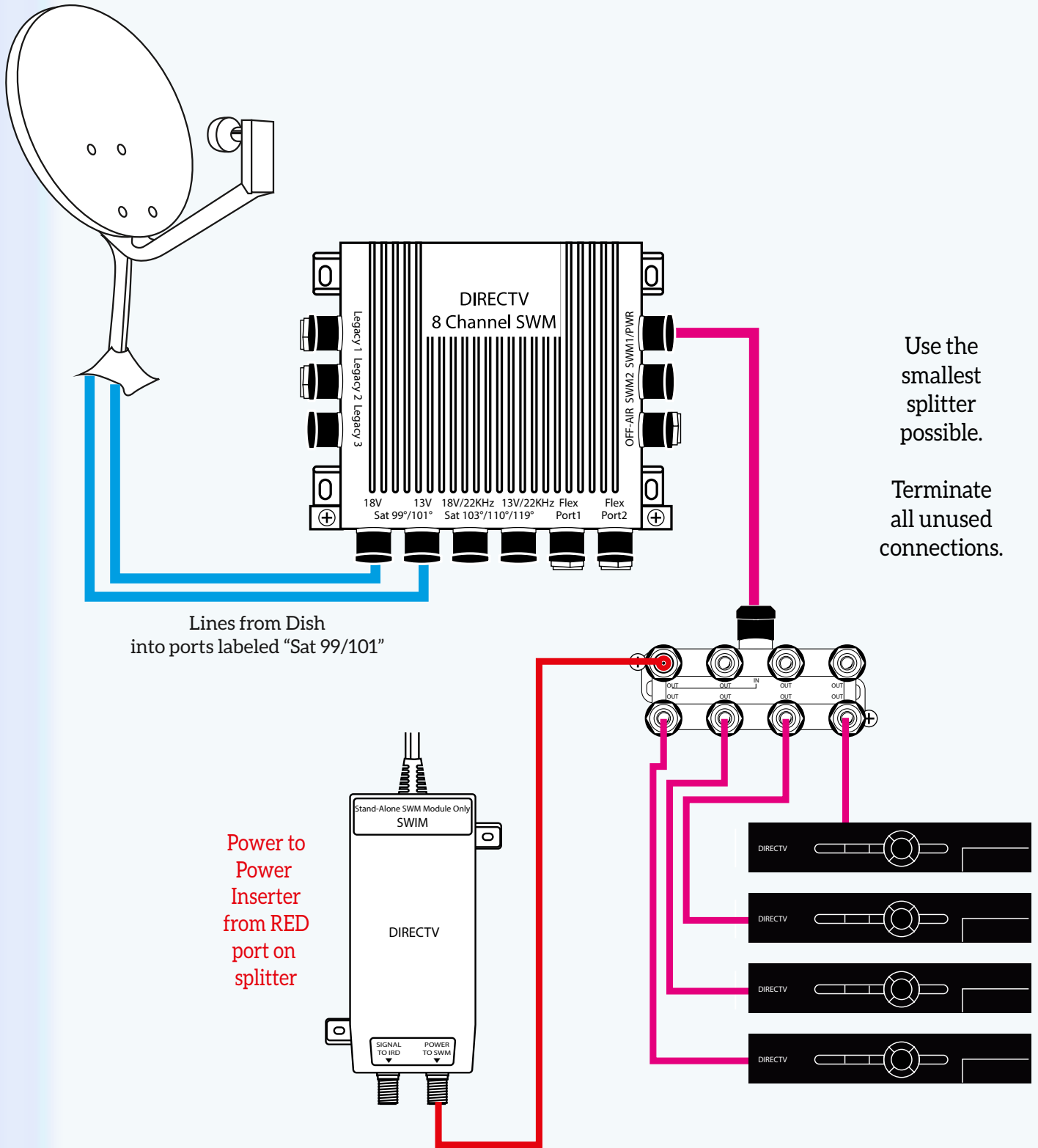


# INSTALLING A SWM8

Using an 18" round dish to connect to a Single Wire Multiswitch



**Project: Basic Dish Installation**  
**DOCUMENT DATE: January, 2014**