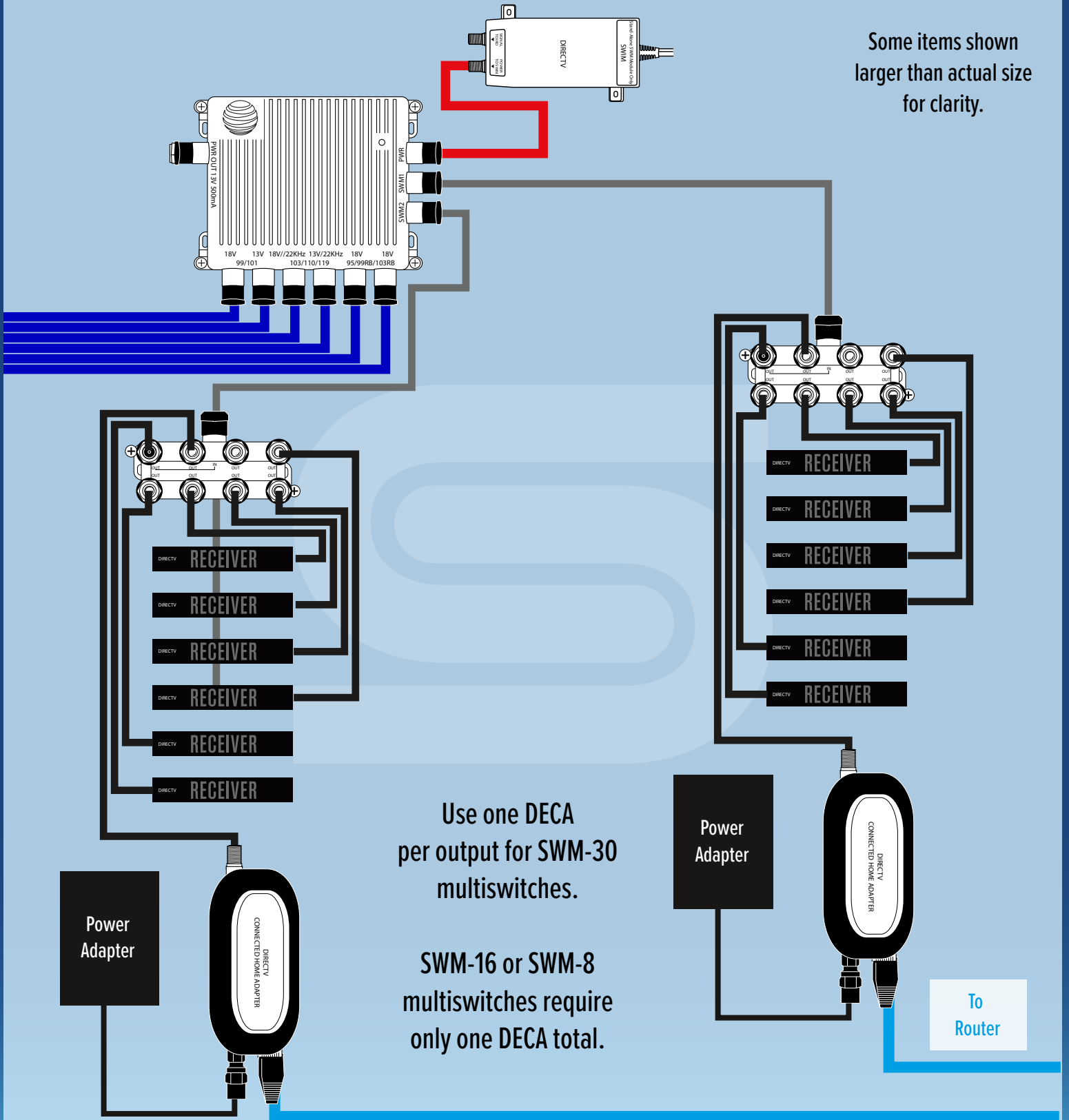


INSTALLATION: DECA FOR COMMERCIAL RECEIVERS

Some items shown larger than actual size for clarity.



Use one DECA per output for SWM-30 multiswitches.

SWM-16 or SWM-8 multiswitches require only one DECA total.