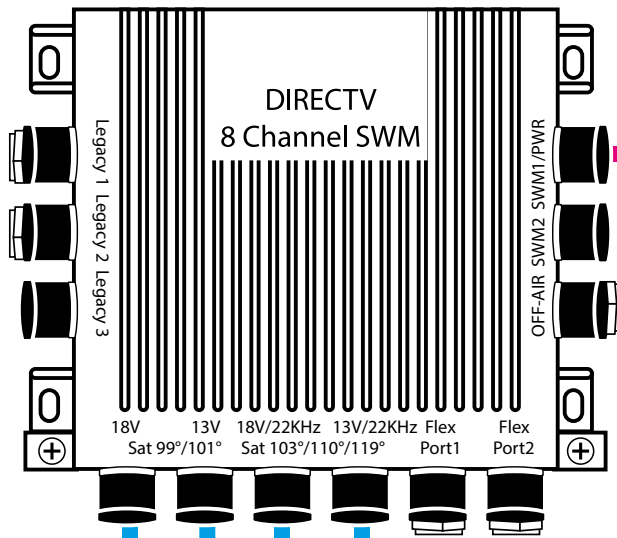


INSTALLING AN EXTERNAL MULTISWITCH

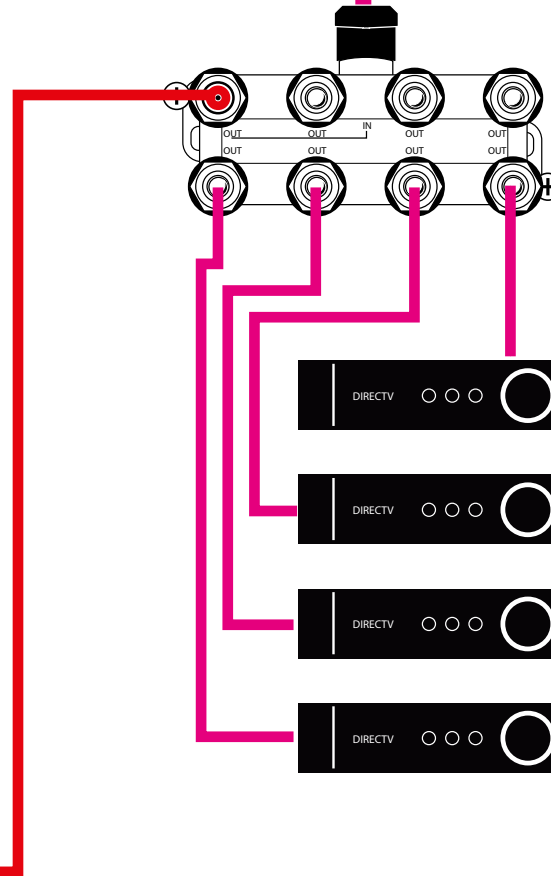
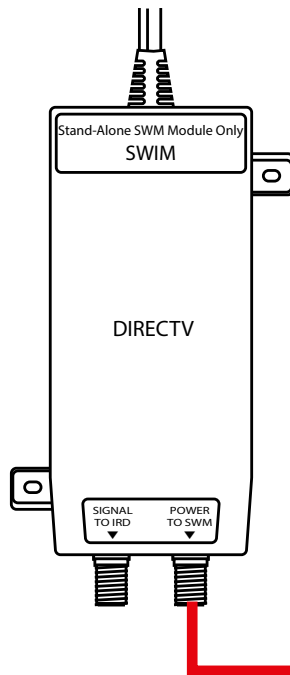


Use the smallest splitter possible.

Terminate all unused connections.

Lines from Dish
(with new connectors)

Power to Power Inserter from RED port on splitter



Existing lines with new connectors

